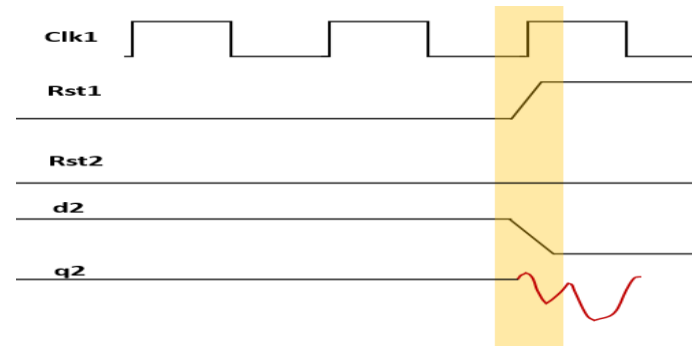
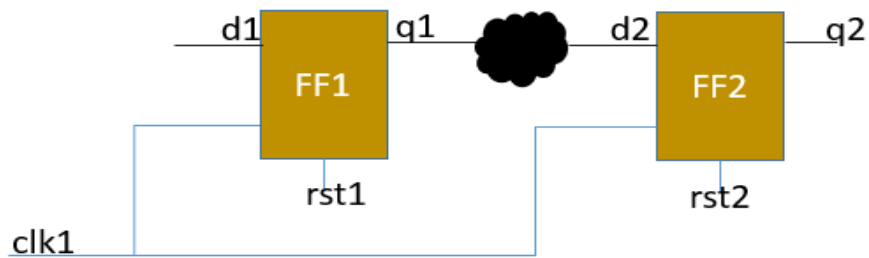


Filtering noise in RDC analysis by clockoff specification

Anupam Saxena(Siemens EDA), Inayat Ali(NXP Semiconductors)
Sulabh Kumar Khare (Siemens EDA), Atul Sharma (Siemens EDA)

Introduction

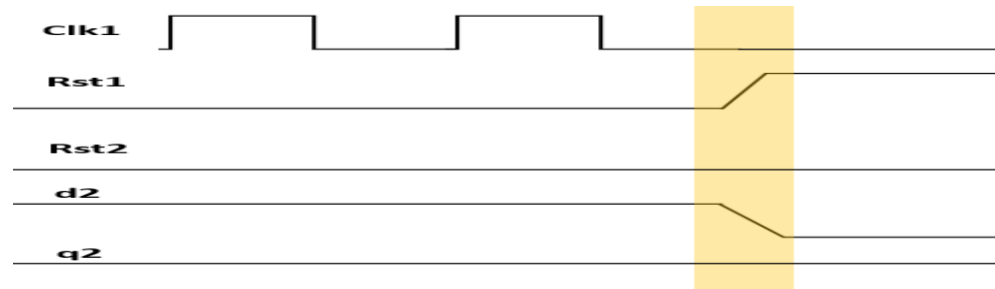
- Metastability captured on a Reset Domain Crossing(RDC) path can cause a chip design to fail



- reset rst1 near active clock edge of clk1 → d2 to change in setup and hold time window of clock clk1 → metastable output q2
- In RDC verification such potential issues are analysed.
 - Filtering out noise from Reset Domain crossings can make the process efficient and fast

Existing Solutions

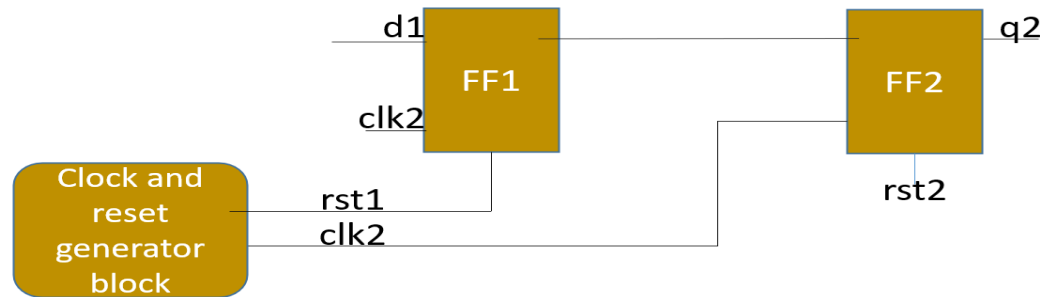
- Reset ordering cannot be always specified between 2 resets.
 - limited to only 1 direction but there can be potential issues in other direction
- For clock gating isolation, an isolation signal is needed
 - A clock gating signal may not always satisfy characteristics of an isolation signal



- What is Clockoff Protocol?
 - For a receiver, when its clock is off, its input does not get sampled which mitigates metastability at the output.
- Clockoff protocol proposed here handles these limitations
 - Both assertion and de-assertion based RDC issues are handled.

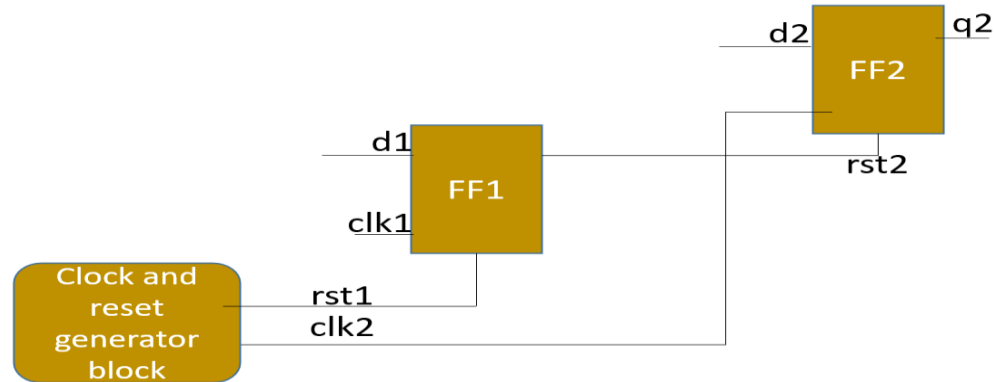
Proposed Methodology (reset assertion)

- The reset generated by Clock and Reset generator block resets FF1, and clock generated goes to clock input of FF2



- How does clockoff handles metastability issue here?
 - If rst1 asserts near the active clock edge of clk2, the setup and hold time violations of clk2 may cause output of FF2 to become metastable
 - But if the clock and reset are generated in such a way that the generated clock clk2 is always off whenever the generated reset asserts, the metastability at FF2 output gets mitigated.
- Directive helps to convey these design assumptions to the tool

Proposed Methodology (reset de-assertion)



- If rst2 de-asserts near active clock edge of clk2, the output q2 may go metastable due to reset recovery and removal time violation of rst2 with respect to clk2
- But if the generated clock clk2 is always off whenever the generated reset rst2 de-asserts, FF2's input does not get sampled thus mitigating metastability at q2
- Directive helps to convey these design assumptions to the tool

Case Study

Design Size from Real SOCs	Crossings reported without clockoff	Crossings reported with clockoff enabled	Filtered Crossings	Percentage reduction
A. 1M gate design	14423	8525	5898	40%
B. 500k gate design	2536	2258	278	11%

Comparison of RDC results on the SOC with and without proposed protocol

- The tools total runtime was either same or got further reduced after enabling clockoff
- The implementation also considered the clockoff scenario when the receiver's clock could be obtained by any combination of clocks specified in constraints.

Conclusion

- Metastability issues in RDCs are critical, which if not analysed and resolved can prove fatal for a chip
- The constraints which are specified as part of clockoff protocol are simple which can be extracted from the design itself, no need to review results first
- If RDC tool does not have this knowledge of clockoff protocol, it will be reporting them as potential RDC issues which need to be further analysed
- The proposed protocol improves the quality of results obtained via static RDC analysis of a design
- Overall closure time required for analysing real RDC issues can be reduced, since the noise gets filtered out, only actual RDC issues need to be analysed

Questions?