



February 25-28, 2013
DoubleTree, San Jose

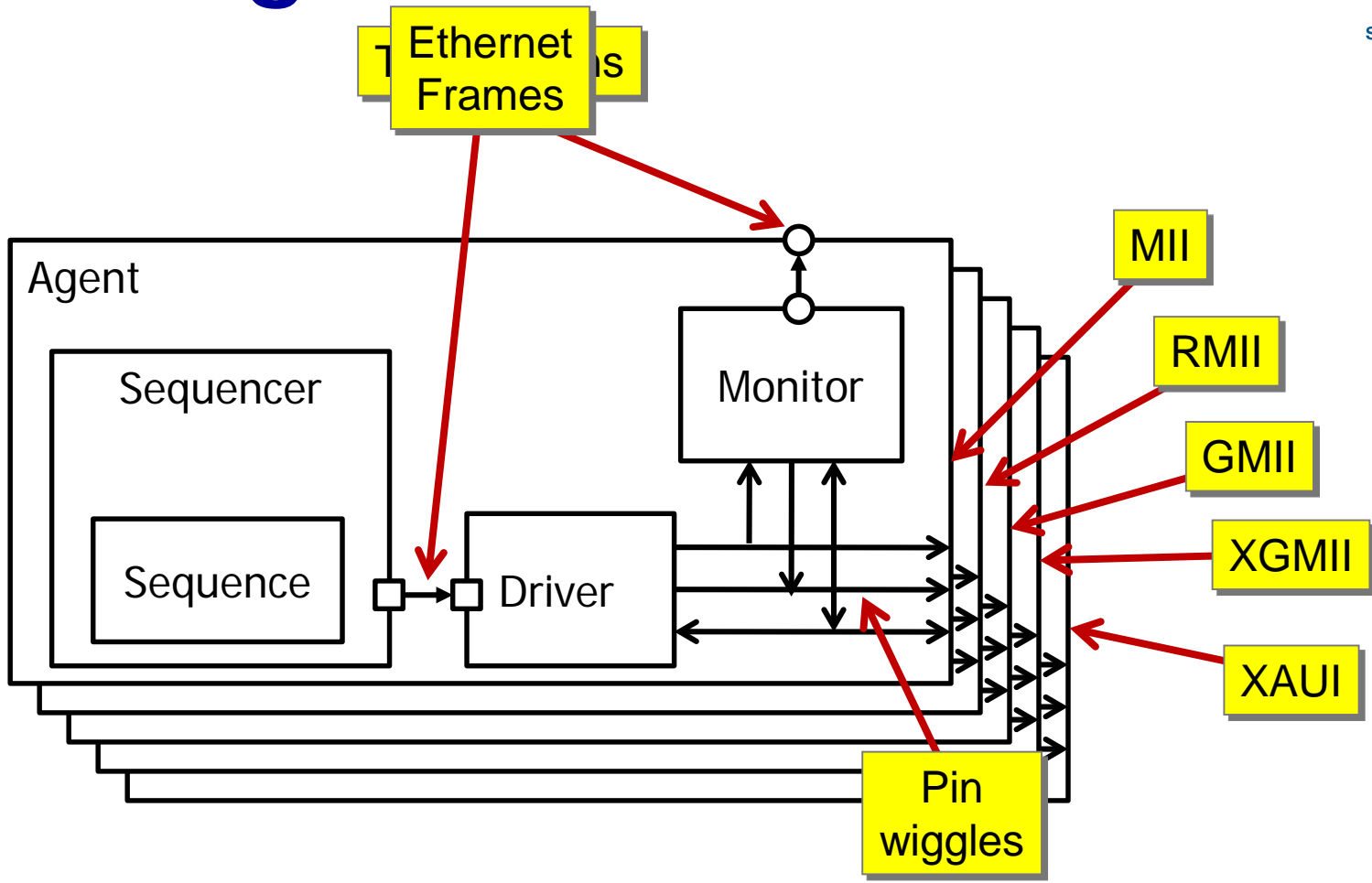


Beyond UVM: Creating Truly Reusable Protocol Layering

by
Janick Bergeron
Fellow
Synopsys, Inc



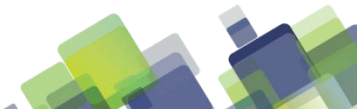
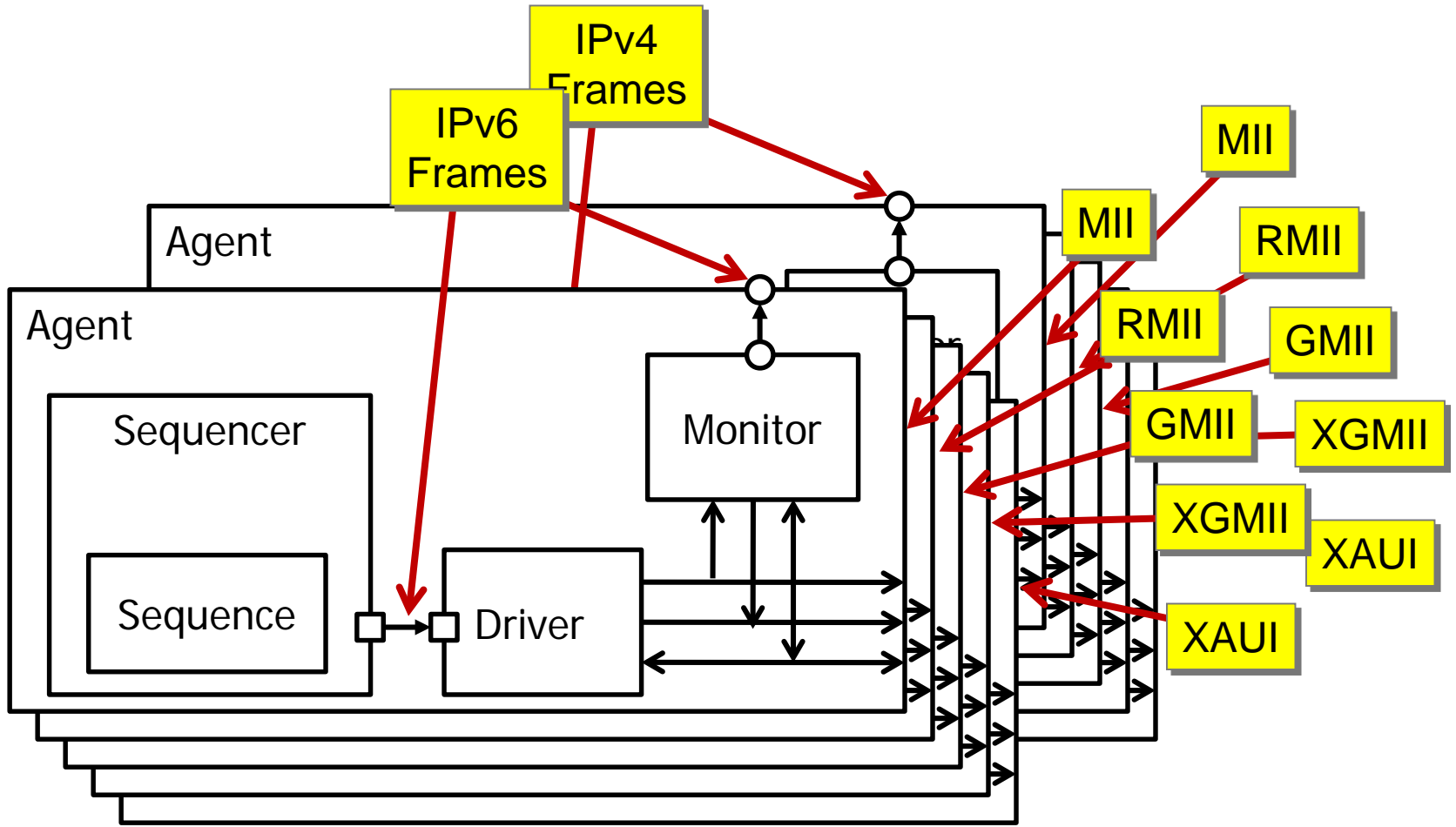
UVM Agent



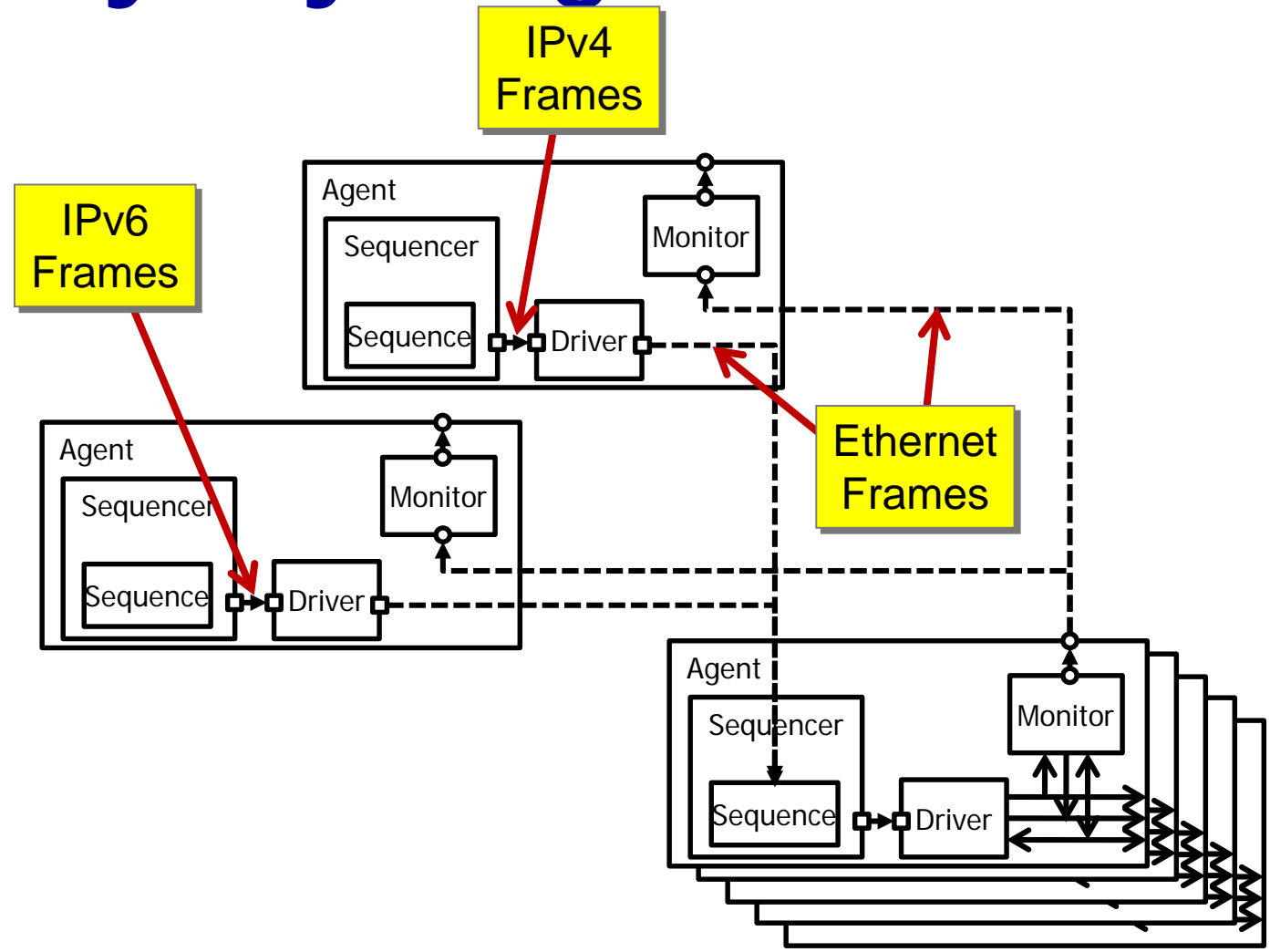
Why Layering?

UVM User Guide
§6.5.2.3.1

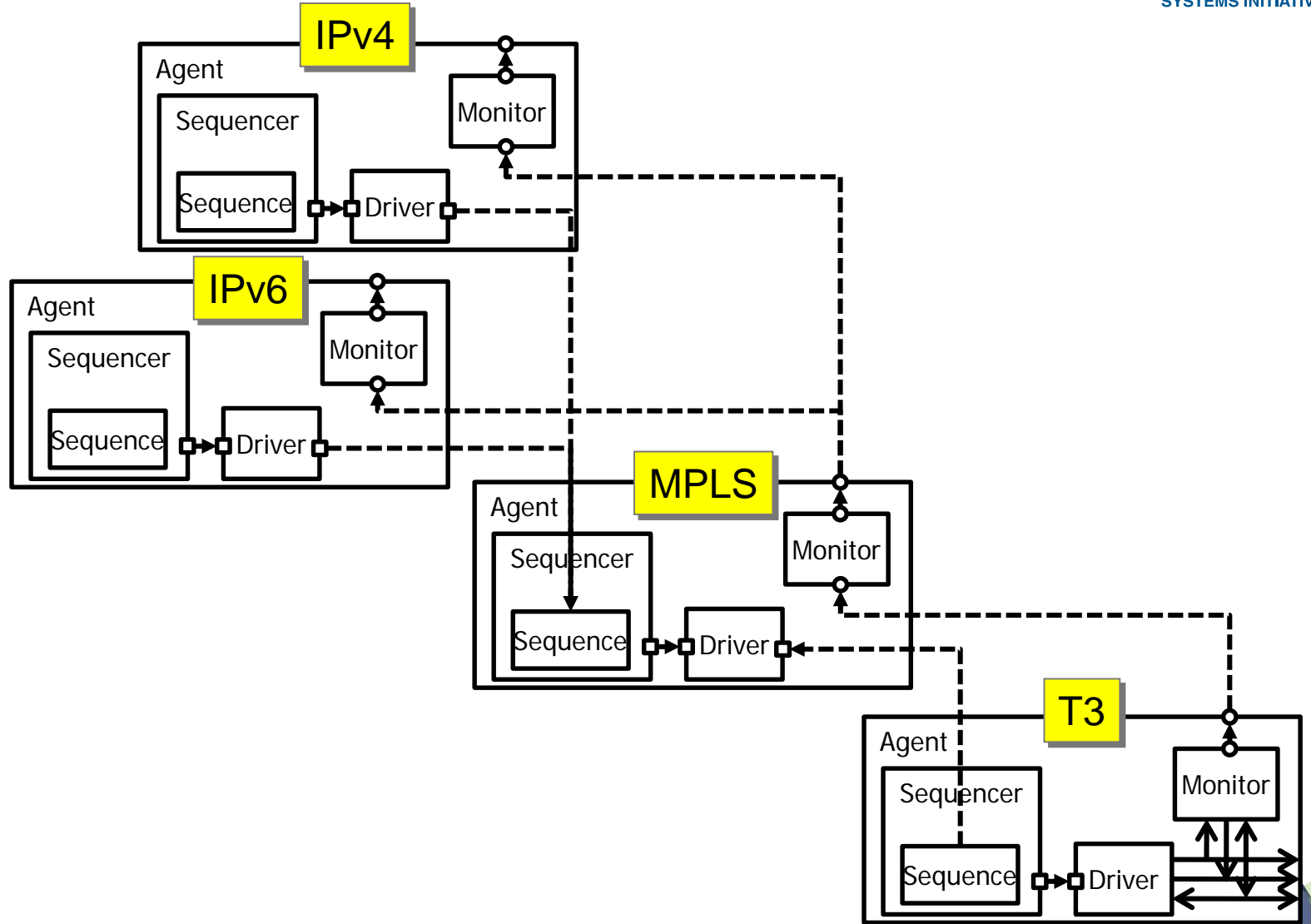
BAD!



Why Layering?



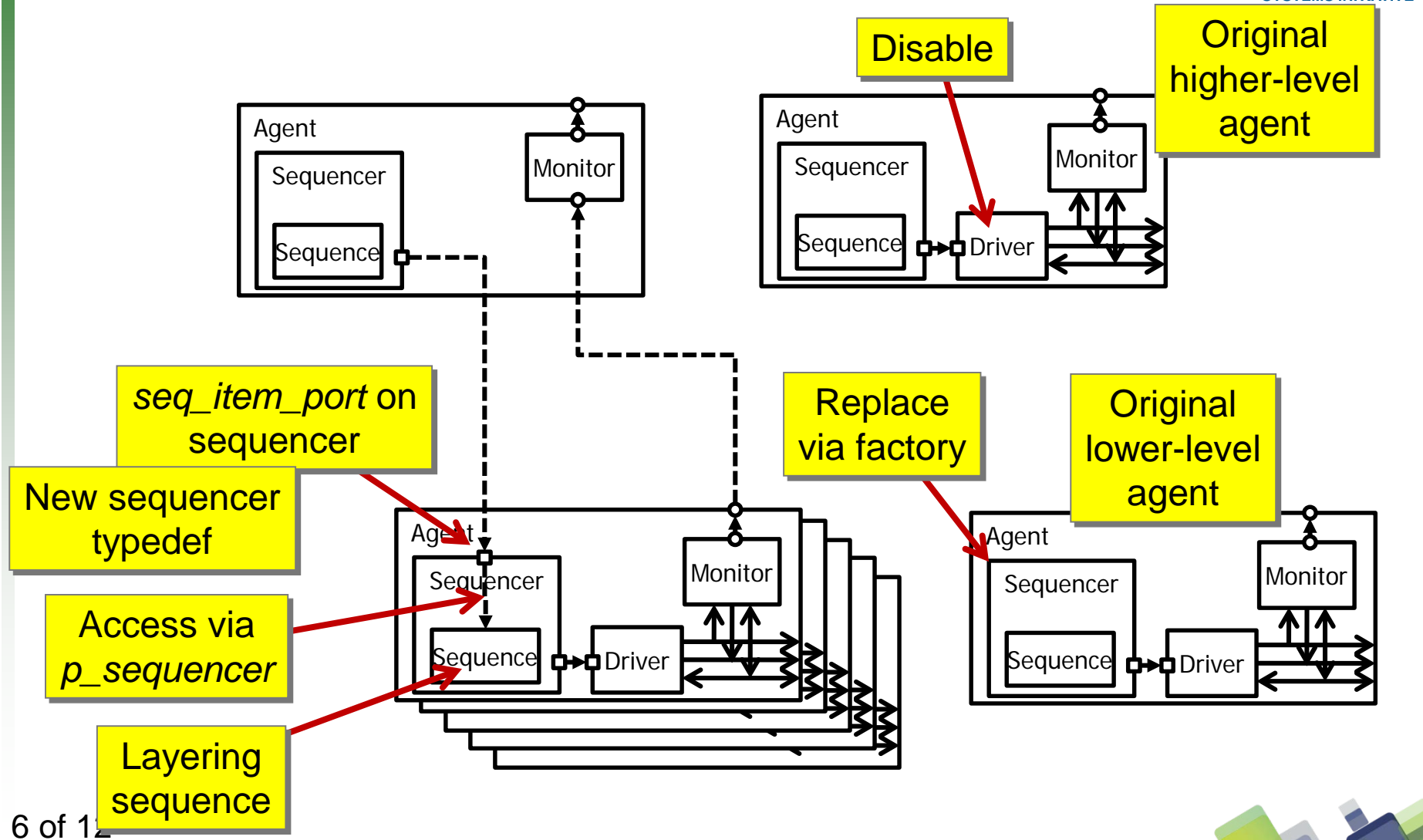
Why Layering?



Layering Sequence

UVM User Guide
§6.5.2.6

Hmmmm...

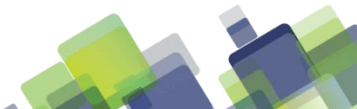
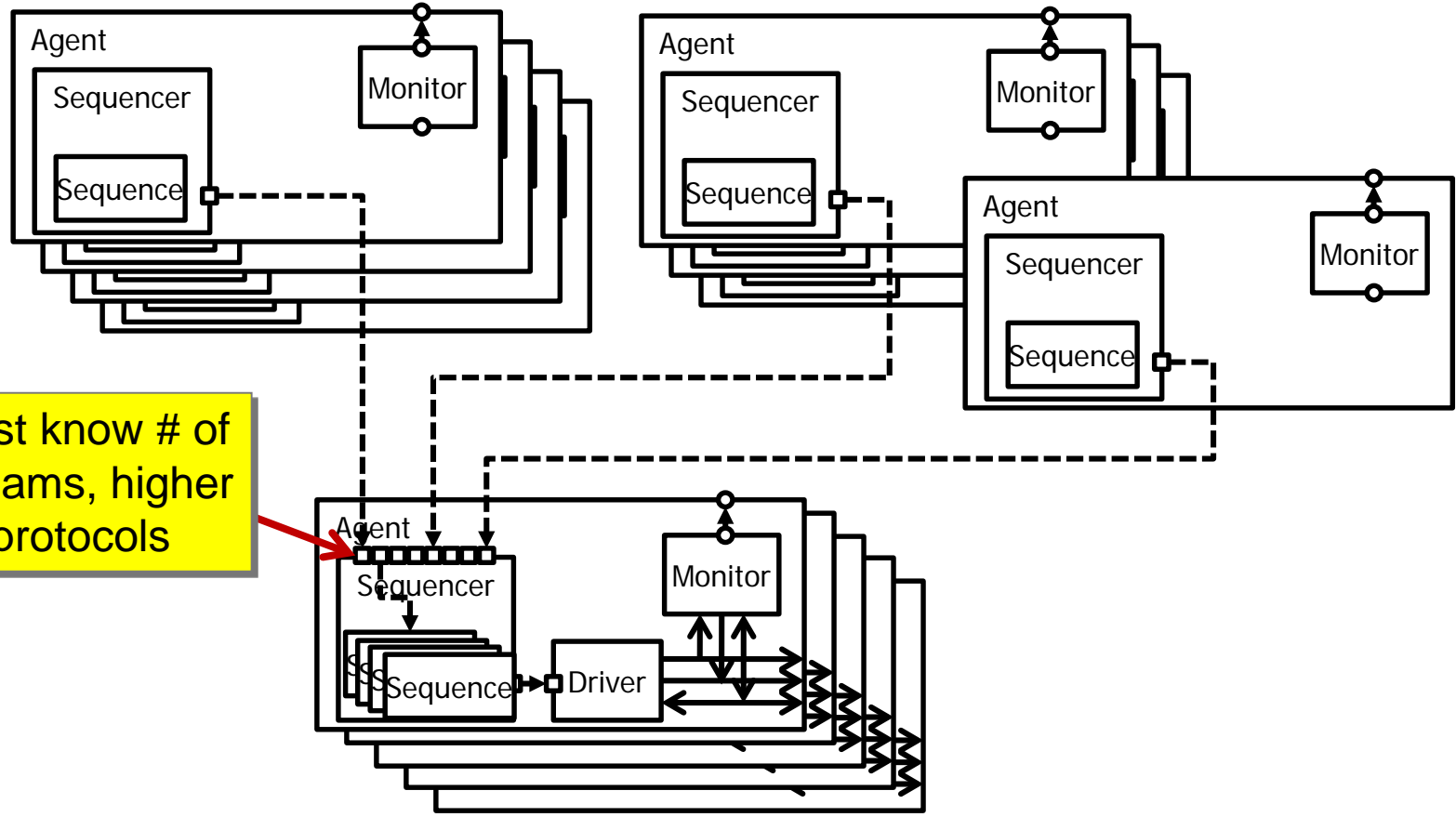


Layering Sequence

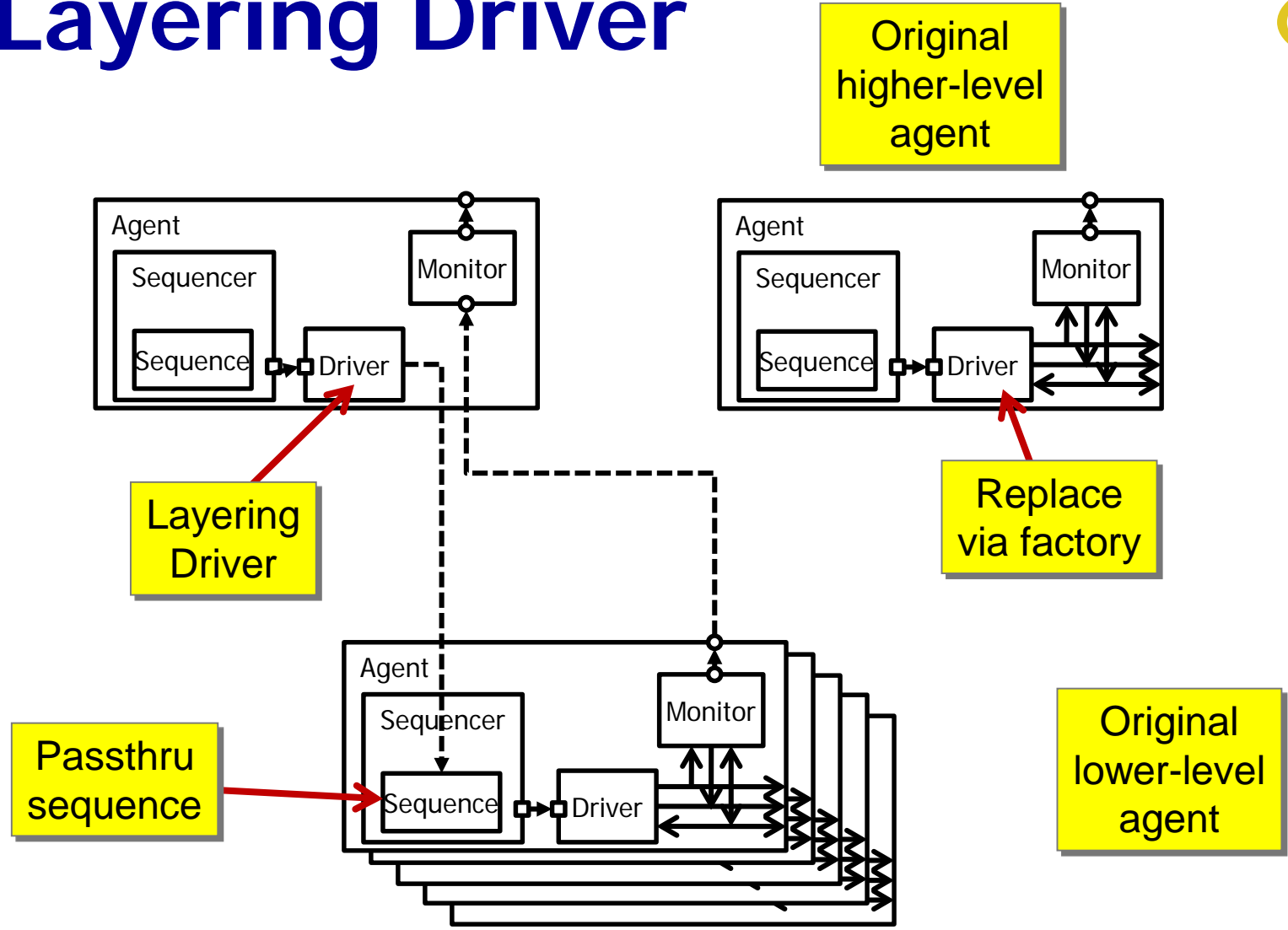
UVM User Guide
§6.5.2.6

Not
scalable

Must know # of
streams, higher
protocols

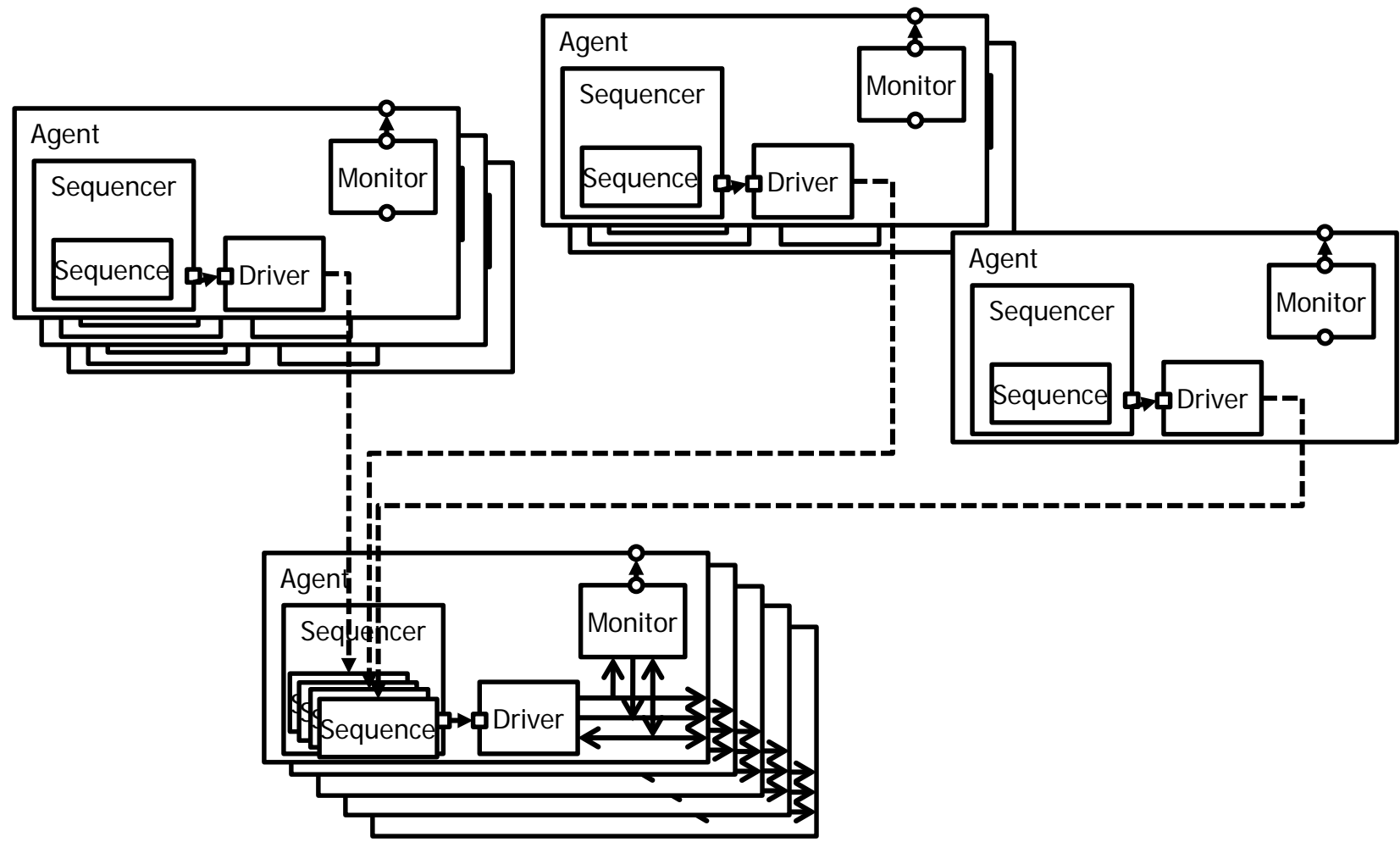


Layering Driver

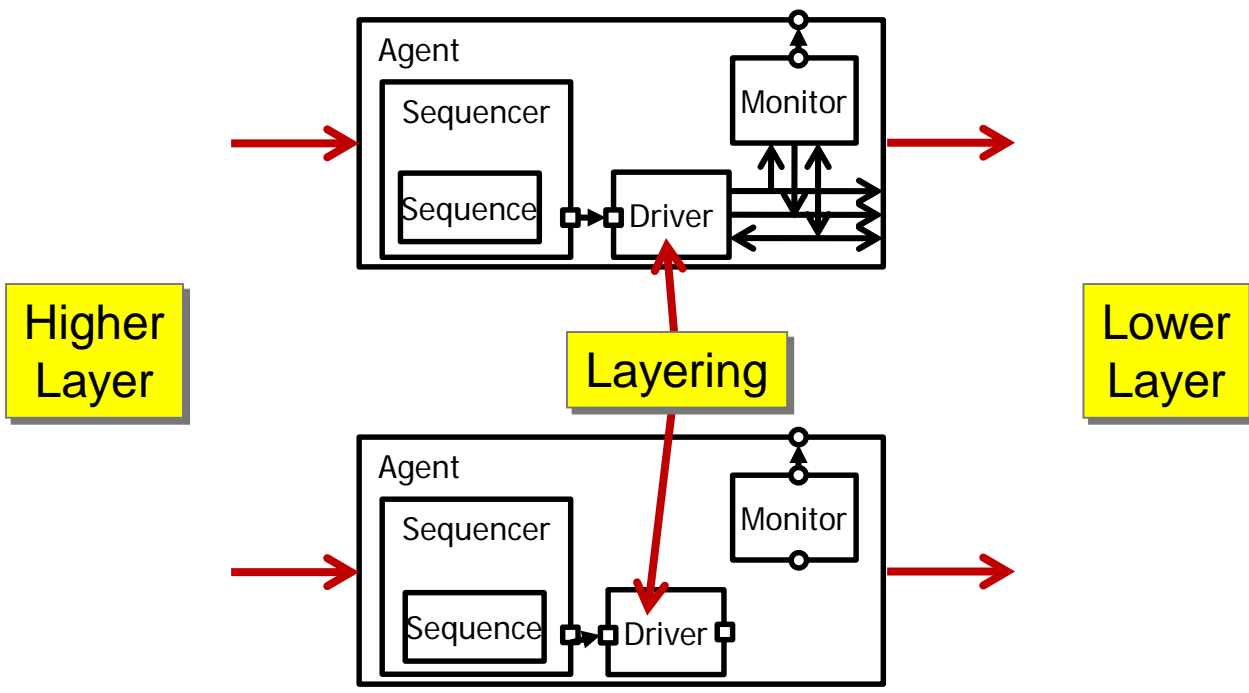


Layering Driver

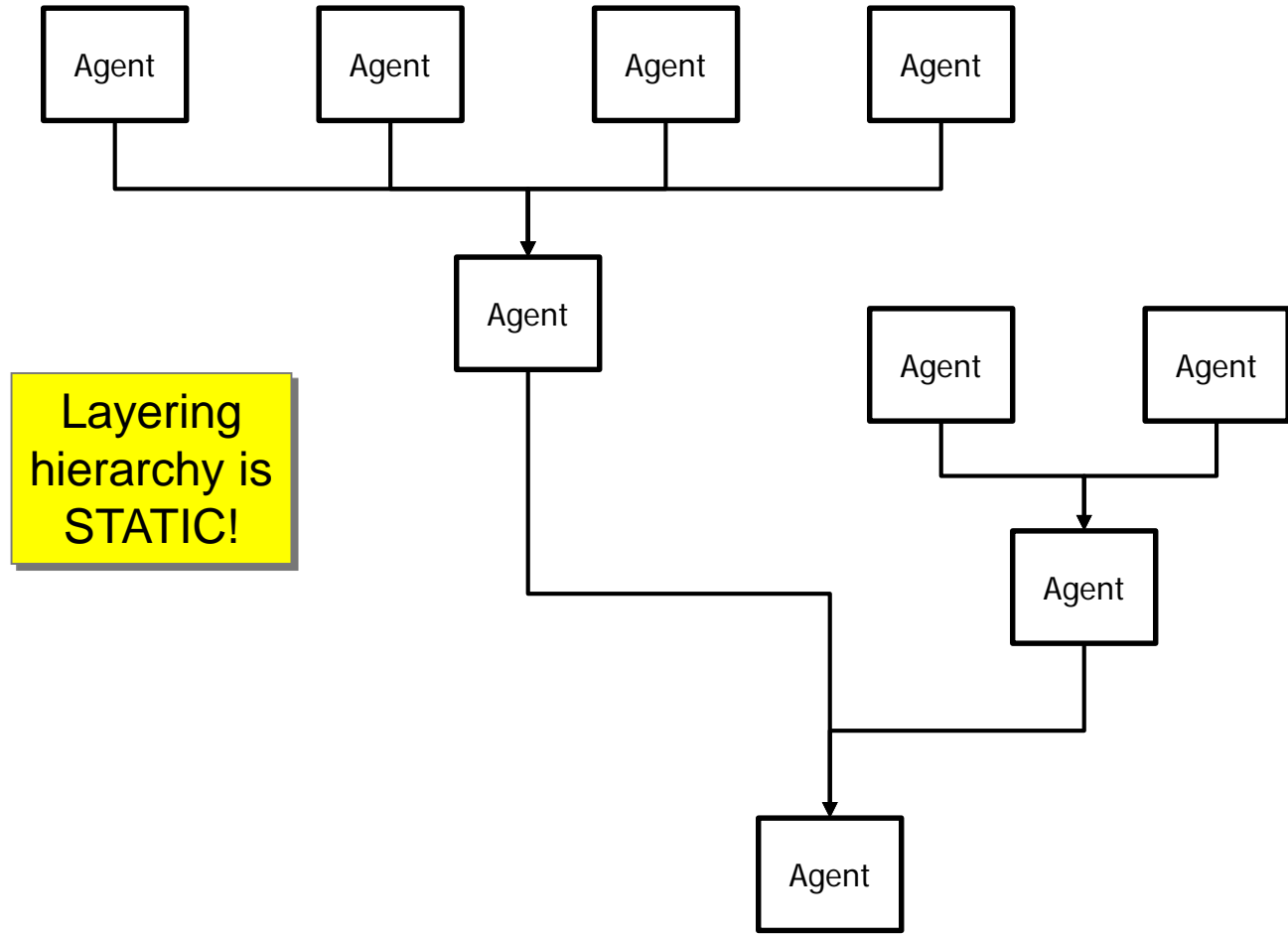
Scalable!



Layering Agent



But...



Layering hierarchy is STATIC!



Summary

- Layer agents
 - Layering Driver
 - Passthru sequence
- Static protocol structure



February 25-28, 2013
DoubleTree, San Jose



Beyond UVM: Creating Truly Reusable Protocol Layering

by
Janick Bergeron
Fellow
Synopsys, Inc

